

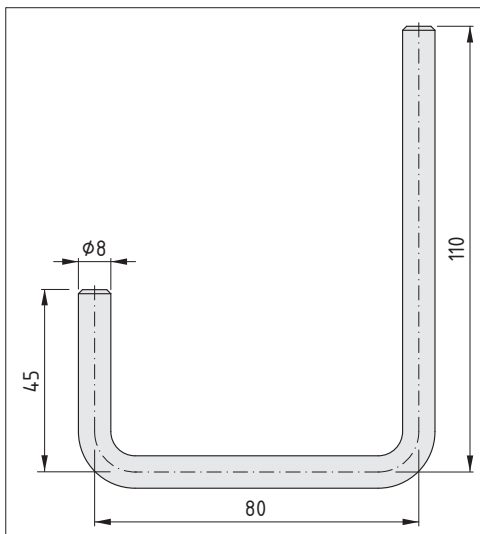
Safety instructions

Protective gloves must be worn during assembly.

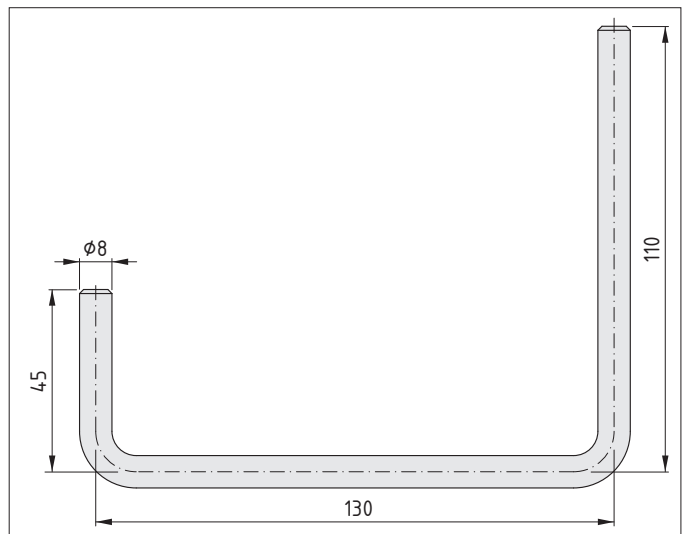
The data and information in the instructions are used solely for product description and assembly. The information does not release the user from making their own assessments and tests.

It should be noted that the mechanically loaded components are subject to a natural wear and aging process. Check all components for obvious defects before assembly.

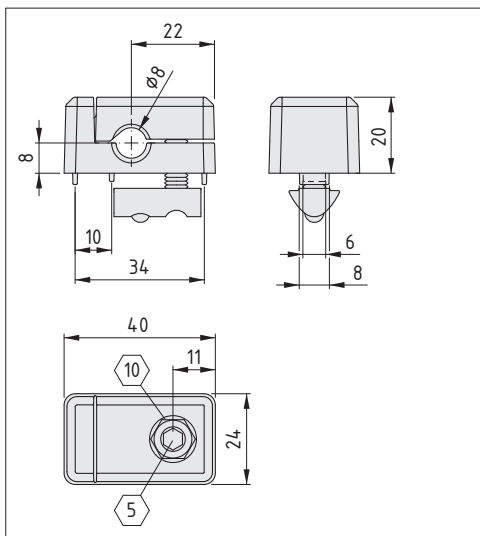
Product



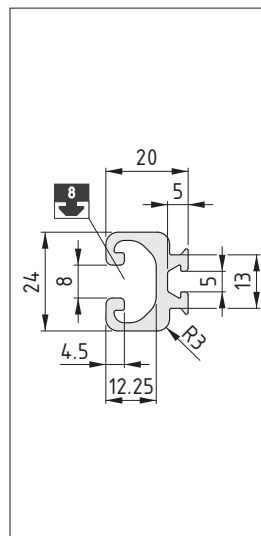
0.0.718.47 - Bracket J 80 D8



0.0.719.21 - Bracket J 130 D8

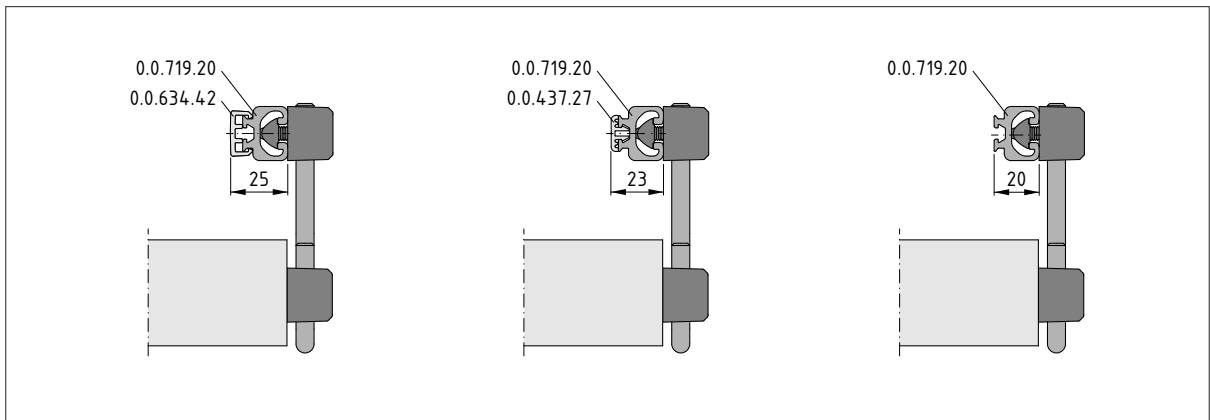


0.0.718.49 - Railing Holder 8 D8

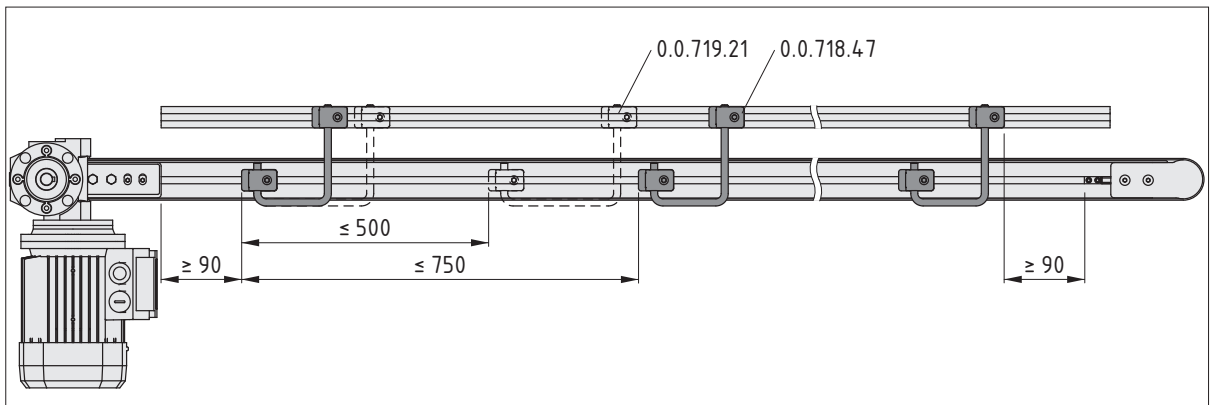


0.0.719.20 - Profile 8 24x20 D30

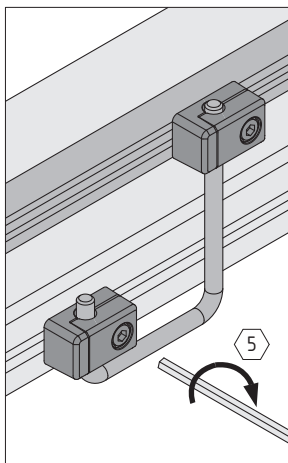
Application Railing Holder mit Profile 8 24x20 D30



Arrangement and number of Railing Holder 8 D8

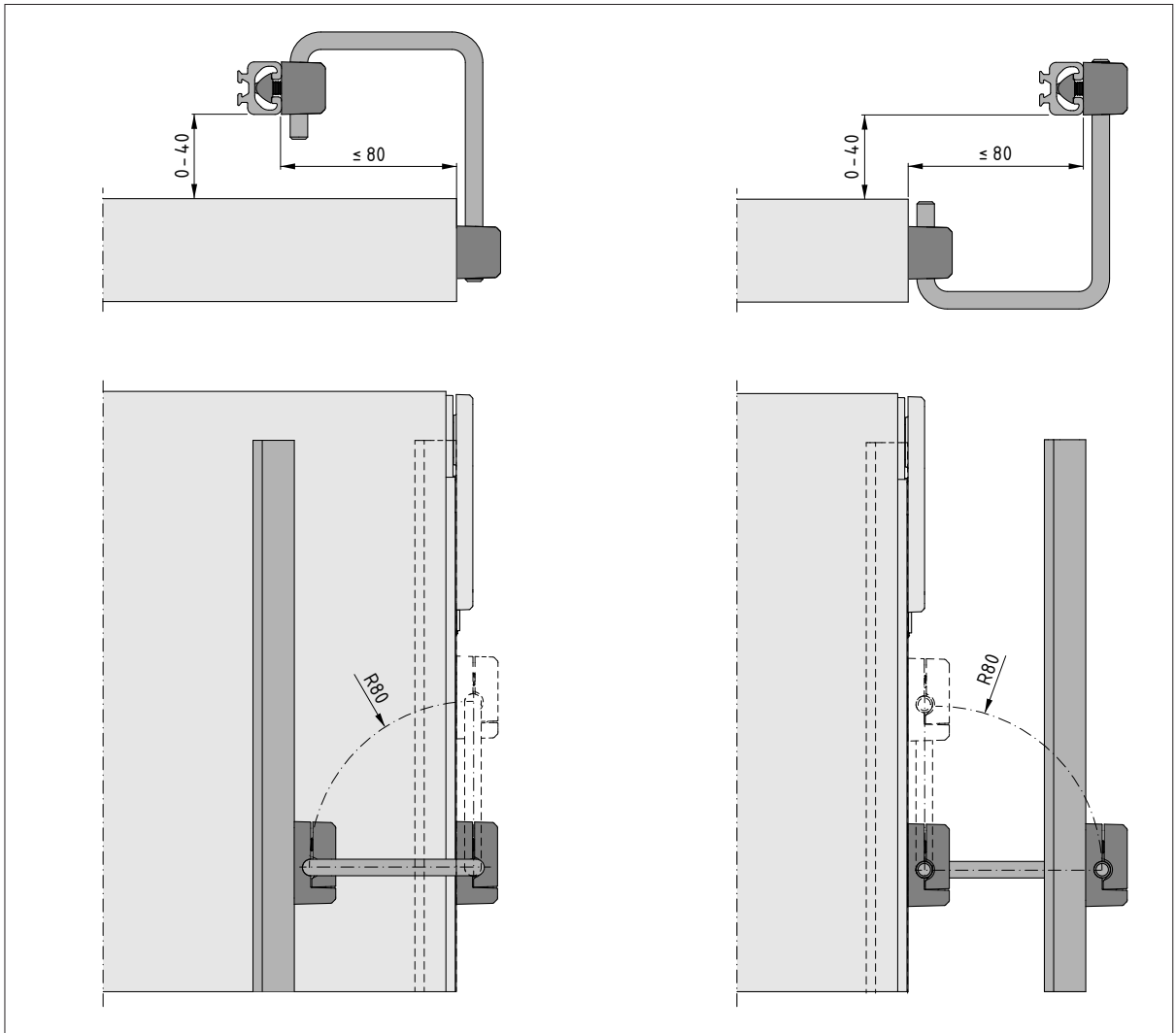


When using the Bracket J 80 D8, distances of more than 750mm between the Railing Holders should be avoided.
 When using the Bracket J 130 D8, distances of more than 500mm between the Railing Holders should be avoided.
 For short conveyor belts, at least two Railing Holder must be used on each side.

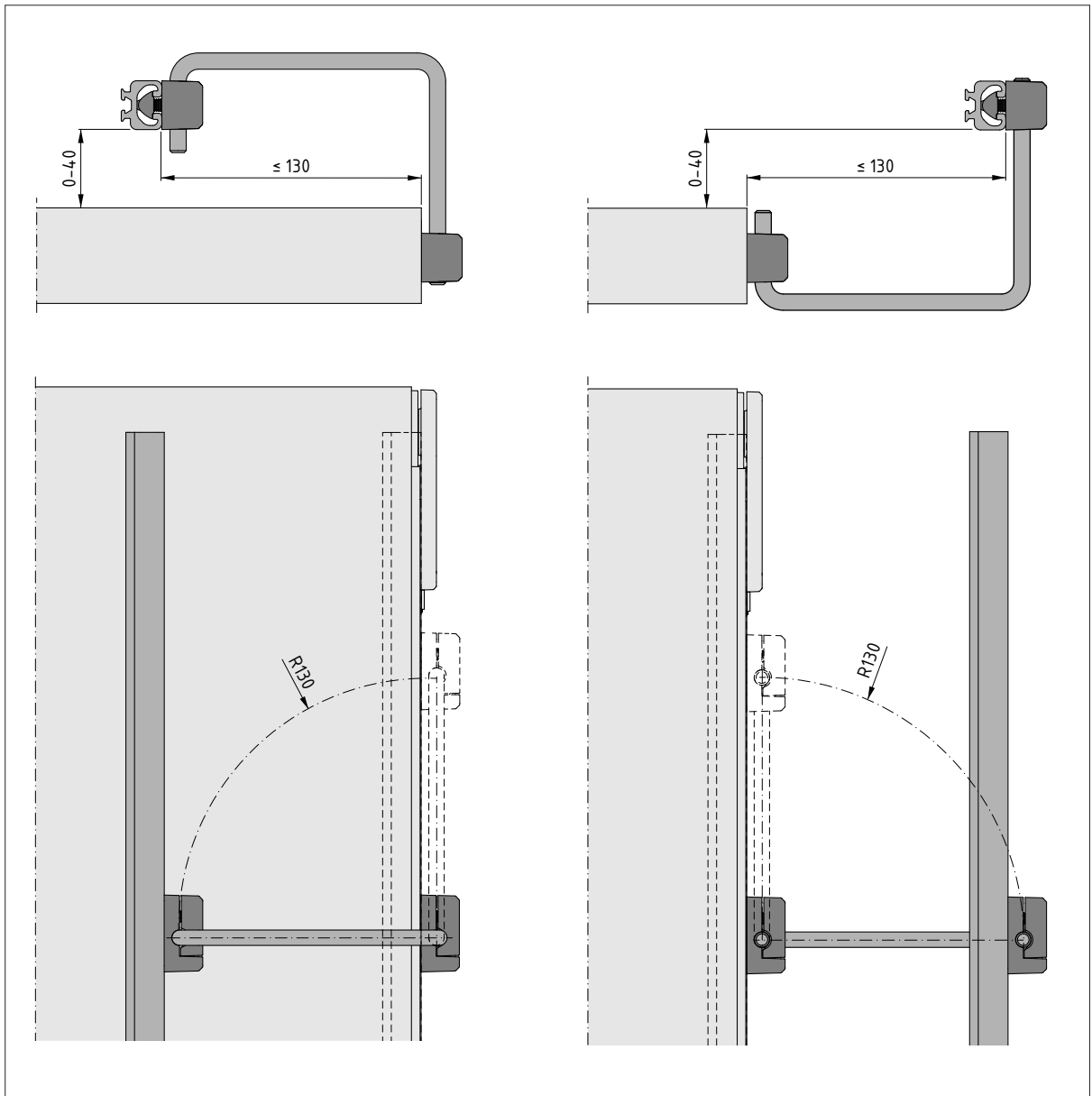


Fastening tightening torque for Railing Holder: $M = 10 \text{ Nm}$

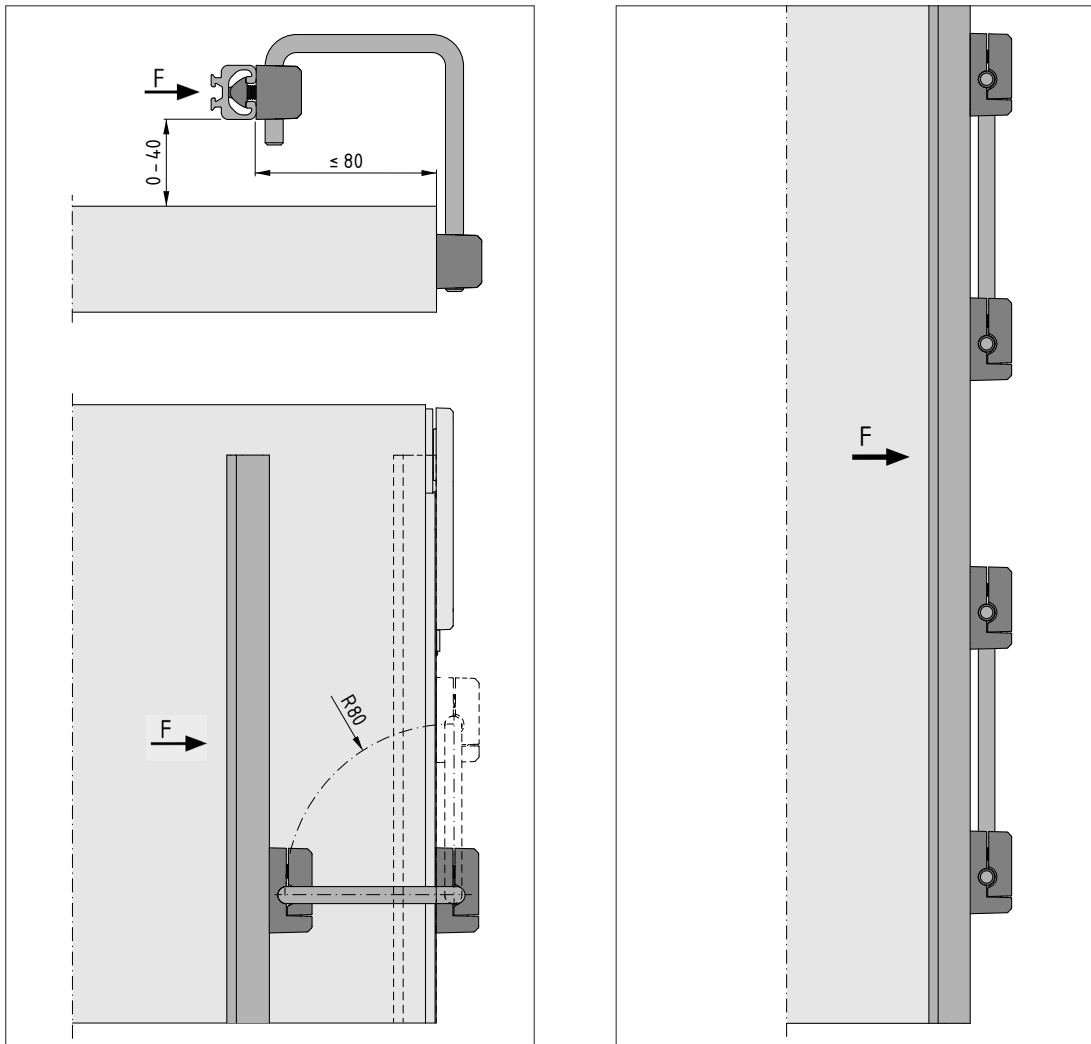
Application Bracket J 80 D8



Application Bracket J 130 D8

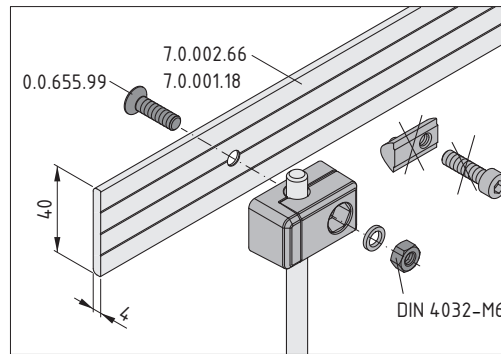
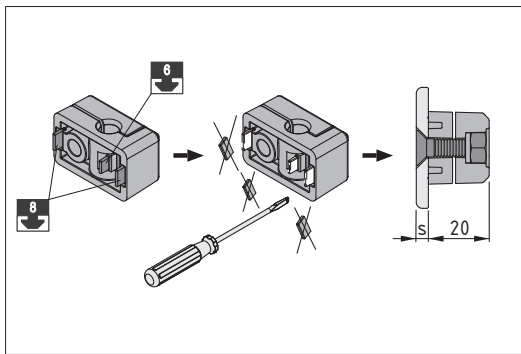
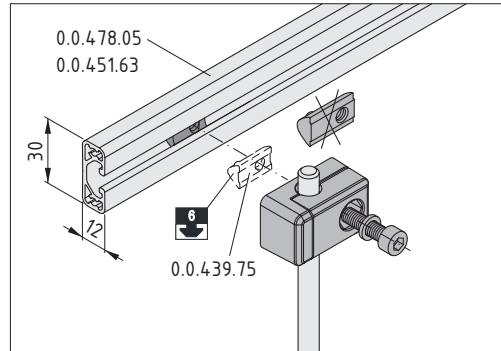
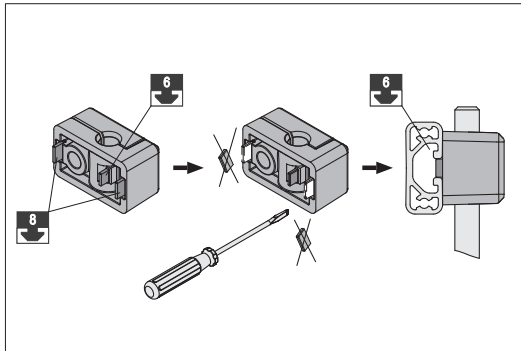


Load



The load capacity depends on the goods being transported, the conveying speed and the angle of the railing system. We recommend not exceeding a load of 250N.

Alternative Anwendungen



The Railing Holders can be used for profile line 6, profile line 8 or surface applications. The respective anti-torsion devices can be removed if necessary. The fastening material is designed for the use of Profile 8 24x20 D30 as a railing and must be supplemented or replaced for alternative applications.

item

item Industrietechnik GmbH
Friedenstraße 107-109
42699 Solingen
Germany
Fon +49 212 6580 0
info@item24.com
item24.com

11/2023

Made in Germany

item Industrietechnik GmbH