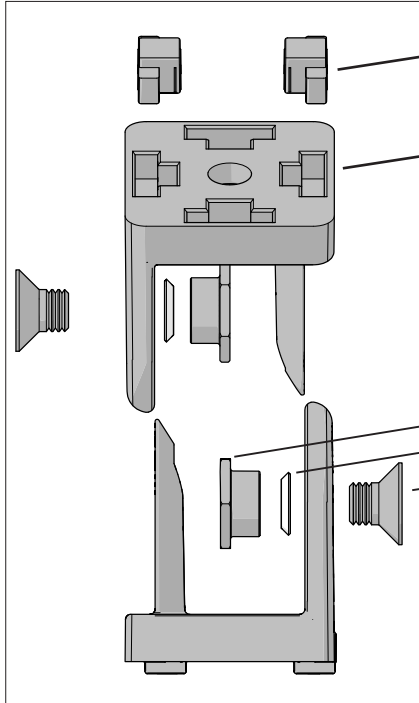


## Hinges

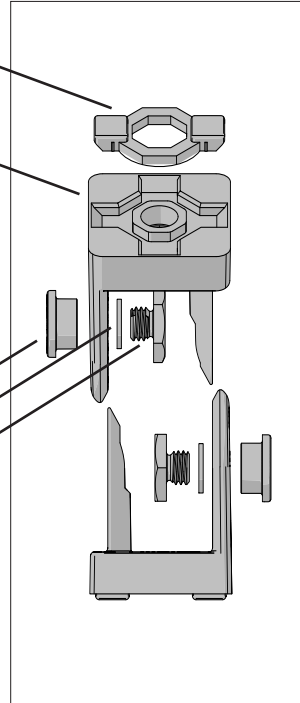
Notes on Use and Installation

## Product description

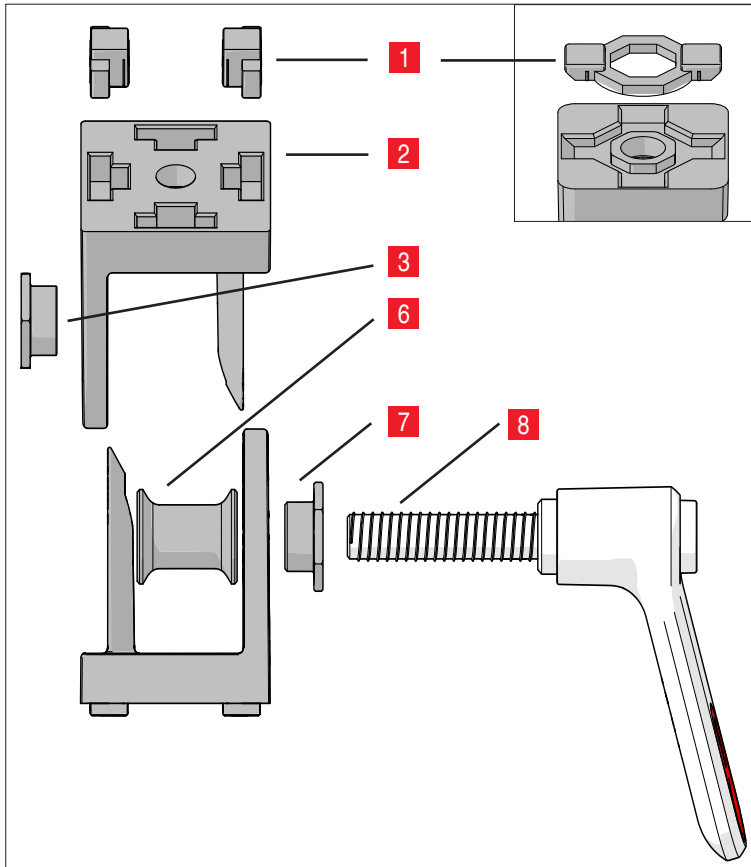
Design Hinges of Line 6 and Line 8






Design of Hinge Line 5



Design Hinges with Clamp Lever



	1	2	3	4	5	6	7	8
Line 5 	fixing element, PA-GF	hinge half, die-cast zinc	thread bush SW4, St	spacer ring, St, stainless	hexagon screw, St			
Line 6 	fixing element, die-cast zinc	hinge half, die-cast zinc	thread bush, St *	spacer ring, St, stainless	countersunk screw SW3, St			
Line 8 	fixing element, die-cast zinc	hinge half, die-cast zinc	thread bush, St *	spacer ring, St, stainless	countersunk screw SW5, St			
Lines with Clamp Lever	fixing element, die-cast zinc fixing element, PA-GF (BR 5)	hinge half, die-cast zinc	thread bush, St *			Spacer collar, St *	bush liner, St *	clamp lever*

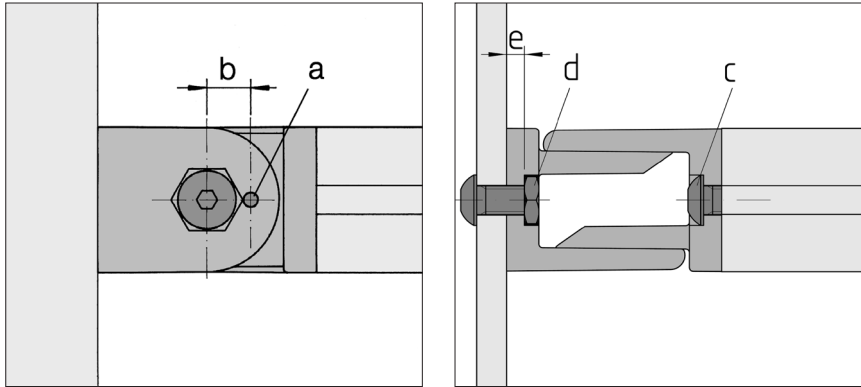
\* Metal alloy contains lead, CAS number: 7439-92-1.

The article is compliant with Directive 2011/65/EC (RoHS) including the supplementary directive (EU 2015/863) by applying exemption 6(a) of Annex III of the directive.

According to article 33 of the REACH regulation, we inform you about substances of very high concern (SVHC), which are contained in a concentration of more than 0.1% by weight (w/w). The article contains lead and is therefore subject to information.

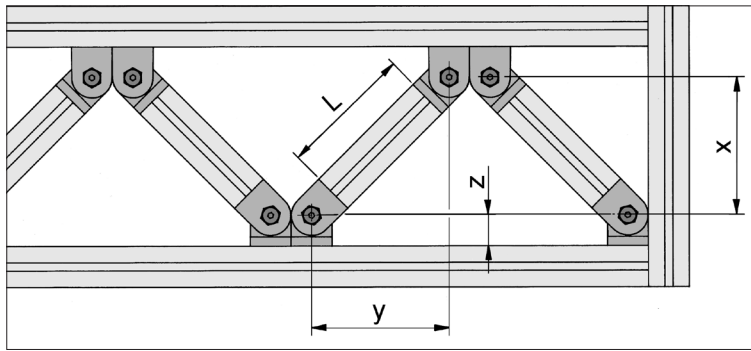
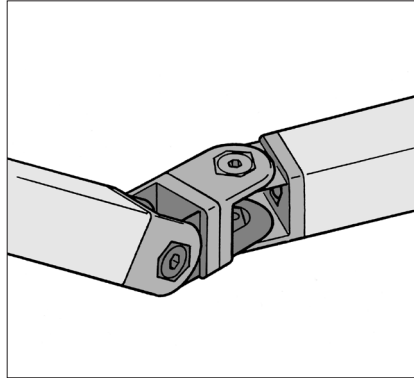
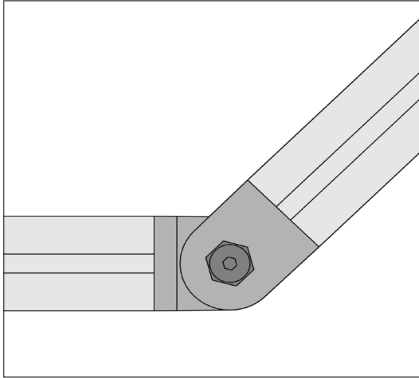
## Technical details

When used in conjunction with the spacer rings **4**, they can be used as freely movable hinges. If the spacer rings **4** are removed, they can be used as rigid angle elements, e.g. bracing, and can also be pinned.



Hinge	Dowel DIN 6325		Button-Head Screw	Nut	
	a	b	c	d	e
5 20x20	2m6x20	7 mm	ISO 7380 M5x12	DIN 557 M5	3,3 mm
6 30x30	4m6x30	10 mm	ISO 7380 M6x14	DIN EN ISO 4035 M6	3,5 mm
8 40x40	4m6x40	12 mm	ISO 7380 M8x16	DIN EN ISO 4035 M8	5,0 mm
8 80x40	6m6x40	24 mm	ISO 7380 M8x16	DIN EN ISO 4035 M8	5,0 mm

Application



Calculation of the  
strut length L:

$$L = \sqrt{x^2 + y^2} - 2z$$

**item**

item Industrietechnik GmbH  
Friedenstrasse 107-109  
42699 Solingen  
Germany  
Phone +49 212 6580 0  
Fax +49 212 6580 310  
info@item24.com  
item24.com