



## ACTUATOR AZM 170-B6

- Particularly suitable for hinged guards
- The direction of actuation can be selected by applicable insertion of the insert

### Data

#### Ordering data

Product type description	ACTUATOR AZM 170-B6
Article number (order number)	101123391
EAN (European Article Number)	4030661104416
eCl@ss number, version 12.0	27-27-26-06
eCl@ss number, version 11.0	27-27-26-06
eCl@ss number, version 9.0	27-27-26-06
ETIM number, version 7.0	EC001487
ETIM number, version 6.0	EC001487

#### General data

Material of the actuator	Stainless steel
Gross weight	23 g

#### Mechanical data

Actuating radius, minimum	50 mm
Actuator	flexible

## Note

Note (General)	The axis of the hinge must be 11 mm above and in a parallel plane to the top surface of the safety switch. Actuating radius adjustable, minimum 50 mm, using an hexagonal key wrench SW 2 mm (a and b)
----------------	---

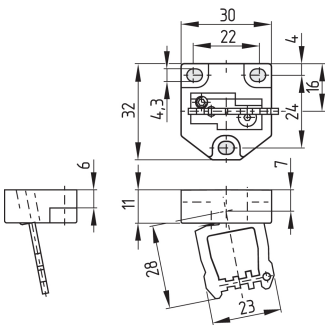
## Pictures

### Product picture (catalogue individual photo)



ID: kaz17f14  
 | 4,2 MB | .tif | 111 x 130.2 mm - 1110 x 1302 px - 254 dpi  
 | 390,0 kB | .jpg | 352.778 x 423.333 mm - 1000 x 1200 px - 72 dpi  
 | 32,2 kB | .png | 74.083 x 88.9 mm - 210 x 252 px - 72 dpi  
 | 33,8 kB | .jpg | 103.011 x 123.472 mm - 292 x 350 px - 72 dpi

### Dimensional drawing actuator



ID: 1azm1b07  
 | 155,3 kB | .jpg | 352.778 x 352.778 mm - 1000 x 1000 px - 72 dpi  
 | 19,5 kB | .png | 74.083 x 74.083 mm - 210 x 210 px - 72 dpi

K.A. Schmersal GmbH & Co. KG, Möddinghofe 30, 42279 Wuppertal

The details and data referred to have been carefully checked. Images may diverge from original. Further technical data can be found in the manual. Technical amendments and errors possible.

Generated on: 10/08/2023, 10:56